

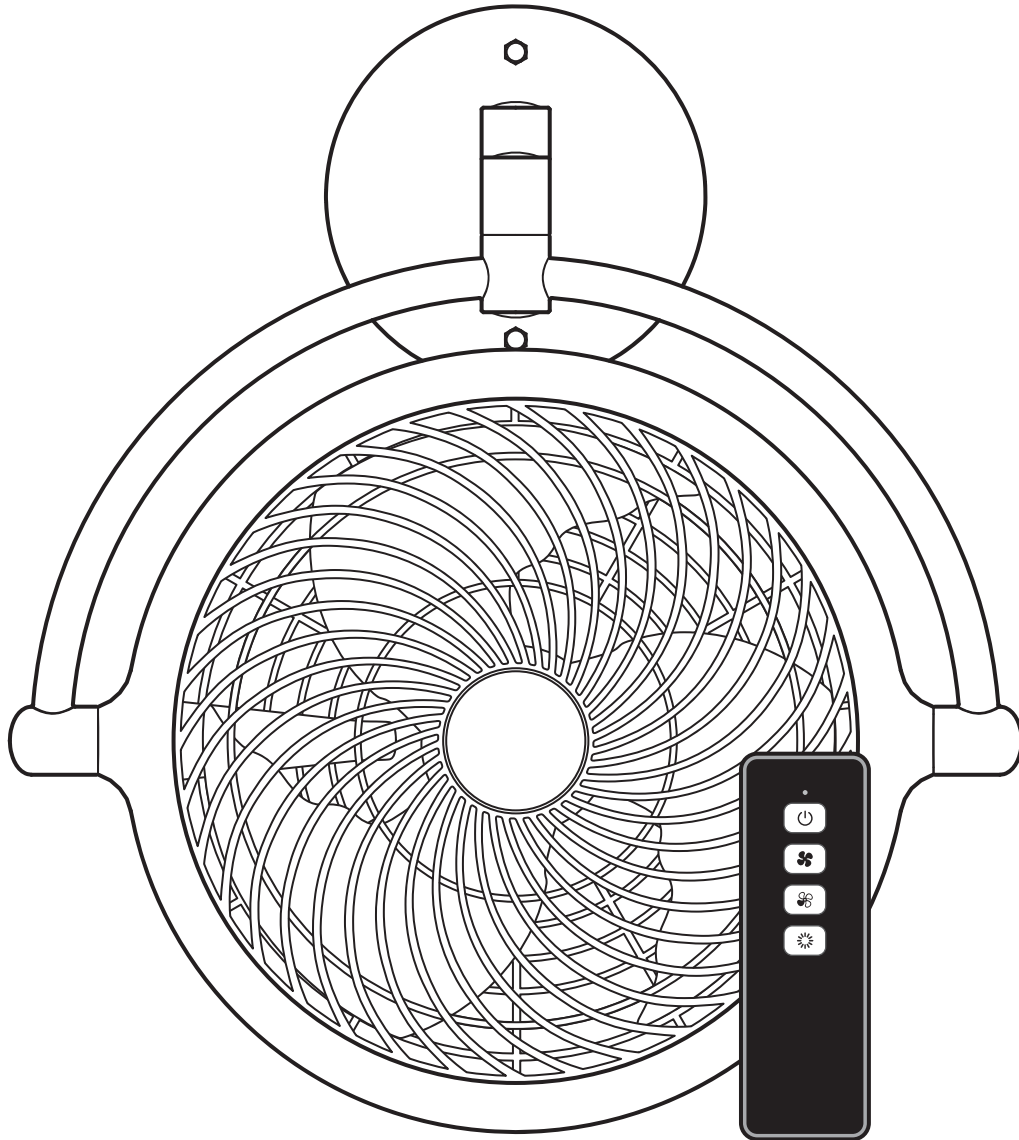


SINCE 1950

# ALASKA

## WALL FAN

Cool breeze from all angles, comprehensive airflow circulation.

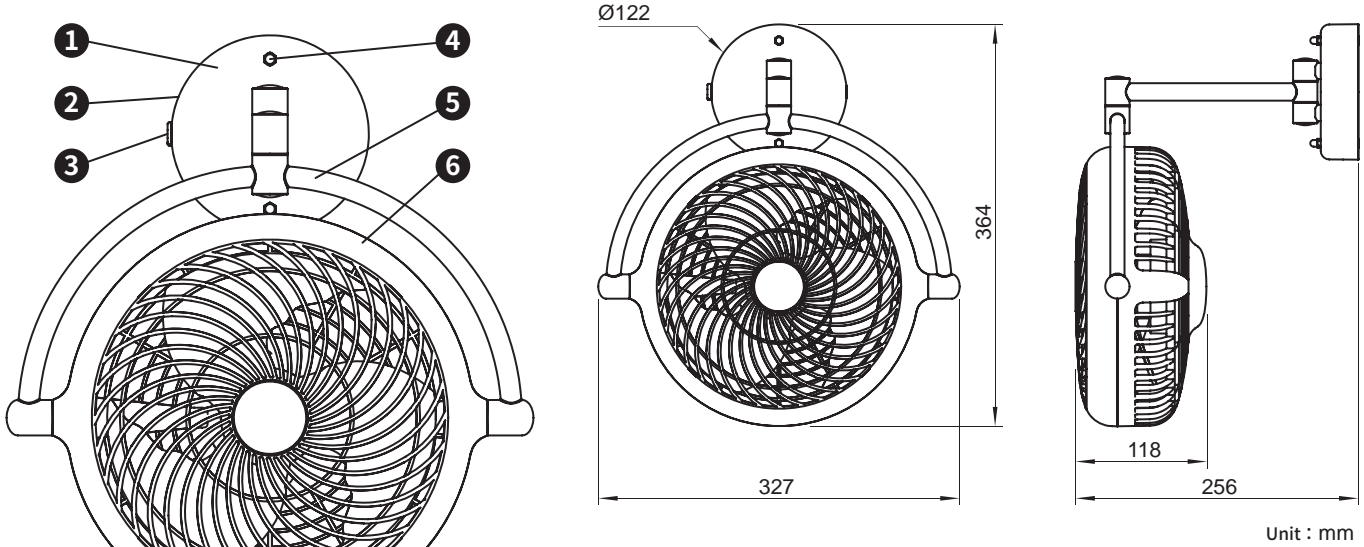


VIV V8D

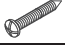

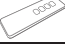

### Operation Manual with Warranty Card

⚠ Please read this manual thoroughly before using and save it for future reference.

## PARTS LIST / DIMENSION



- |   |                     |   |         |
|---|---------------------|---|---------|
| 1 | Cover of wall mount | 4 | Nut     |
| 2 | Wall mount          | 5 | Support |
| 3 | Power jack          | 6 | Fan     |

Name	Figure	Spec.	Quantity
Screw		Ø4x19	4
Plastic wall anchors		Ø4	4
Remote control		125x42	1
DC power supply		12V / 1A	1

## SPECIFICATION

Model	Power supply		Watt (W)		Speed (m/s)		Weight (kg)
	Input	Output	High	Low	High	Low	
V8D	100-240 VAC 50/60Hz	DC12V / 1A	12	4.5	9	5.5	1.6

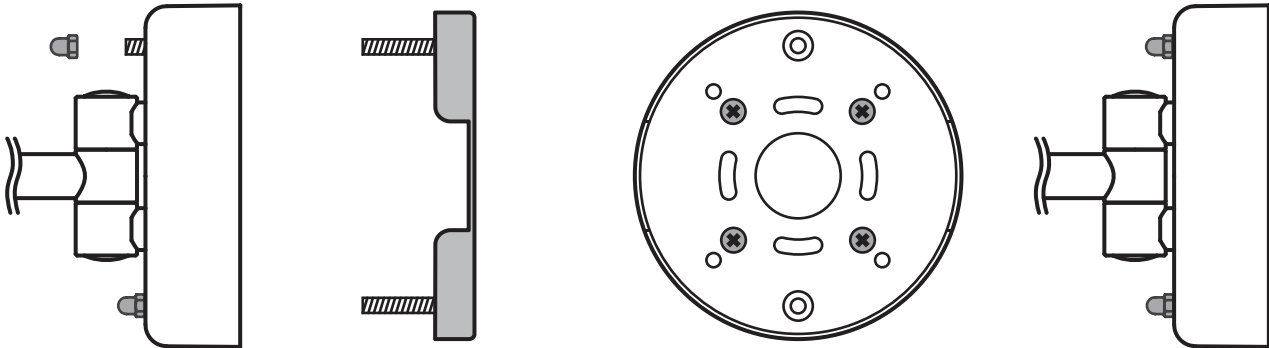
## SAFTETY INSTRUCTIONS

- Before installation please read manual carefully.
- Please check the voltage before installation.
- Do not modify the units.
- Please follow the installation instructions.
- Do not place any objects or hands into the fan while working.
- Avoid installation in the location with oil fume or temperature over 40 degrees. Using under the oil fume or high temperature will cause plastic deformation or motor broken.
- Avoid using insecticides or non-neutral cleaners to spray on the fan, which will damage the plastic material.
- This product is not intended for use by users(including children) who are mentally retarded or inexperienced, except under the supervision or direction of a person who is responsible for their safety.
- If the power cord is damaged, it must be replaced by the manufacturer, service agent or similar qualified person in order to avoid hazards.
- Regular cleaning and maintenance, turn off the power when noise occurs.
- Children should be supervised to ensure that they do not play with the appliance.

## INSTALLATION GUIDE

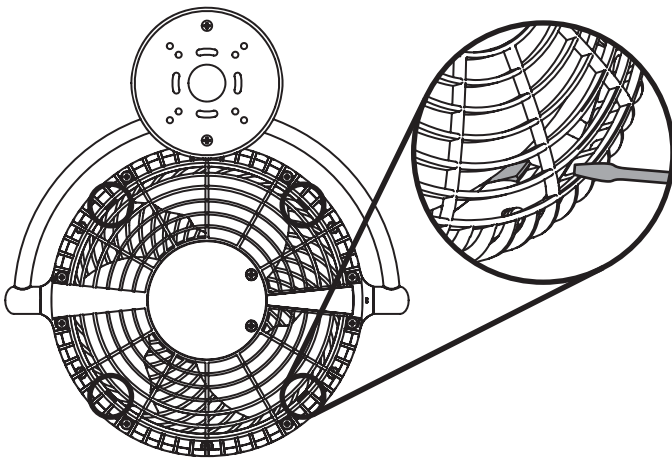
The fan is recommended to install at a min. height of 1m. Do not play with the appliance.

- 1** Remove two nuts.
- 2** Take off the wall mount bracket.
- 3** Use four screws to fix the wall mount bracket on the wall.
- 4** Install the fan on the wall mount bracket, use the nuts to firm it back.

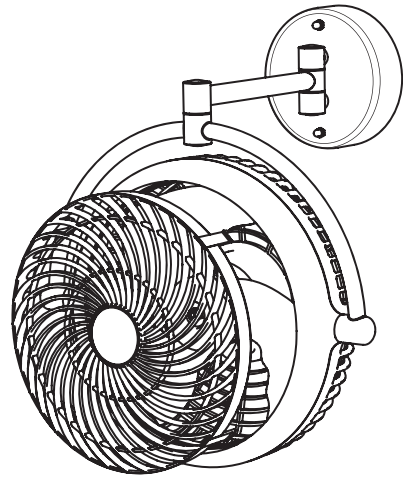


## CLEAN AND MAINTENANCE

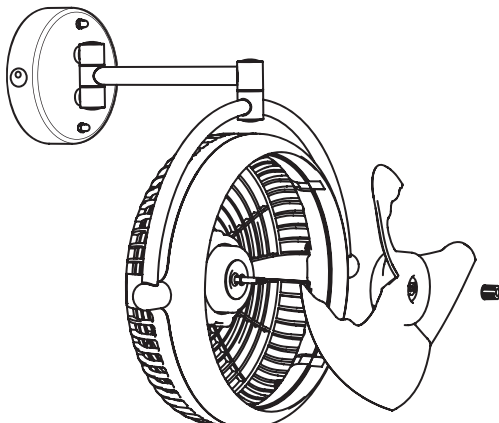
- 1** Use flathead screwdriver to open the latch of back grill. Before taking off the grill, please make sure the power is turned off.



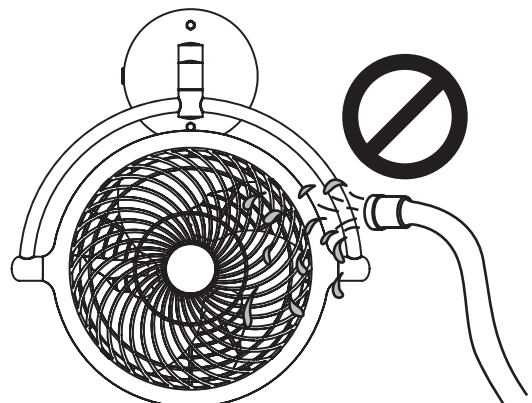
- 2** Take off the grill.



- 3** Release the nut by hand to take off the blade.

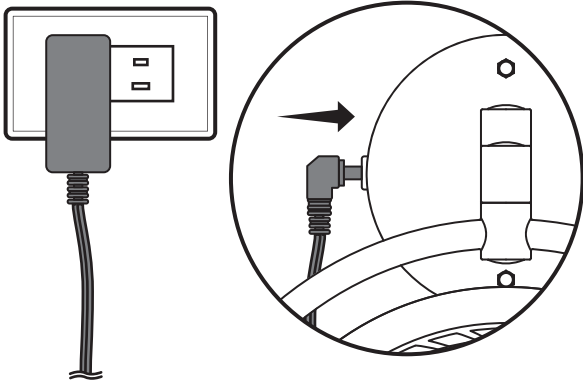


- !** Do not spray water on the fan, it will cause motor failure.

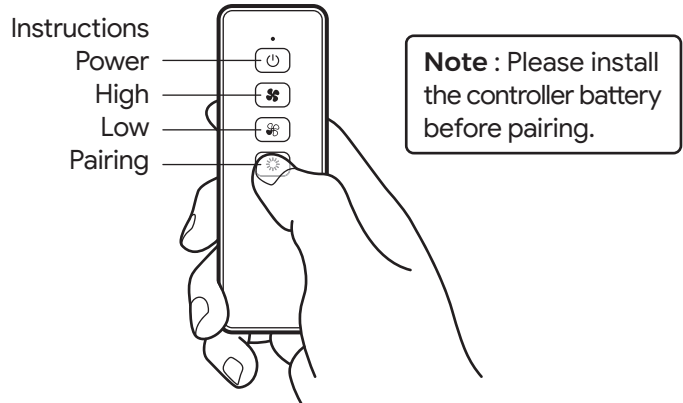


## CONTROLLER PAIRING

- 1 Install the power supply and connect the power. There is a beeping sound from the fan.



- 2 When the fan beeps, press the pairing button until it beeps for the second time.



## CHANGE THE BATTERY

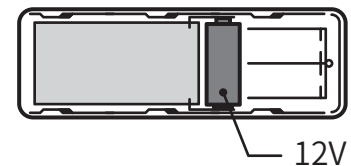
- 1 Remove the screw on the back.
- 2 Insert 1-2mm in the gap under the controller's base to open the controller panel by using a small flatted screwdriver and push the panel down.



Please do disassemble carefully to prevent controller panel from damaging.



- 3 Battery location/Battery spec.



## Warranty Card

Purchase Date	Date :	Production Serial No.	
Store Stamp		<p>Thank you for purchasing our product(s). This warranty card provides 2-years warranty for main parts (fan motor) and 1-year basic warranty for general parts from the date of purchase. However, if one of the following circumstances occurs, the cost or service fee may be charged during the warranty period.</p> <ol style="list-style-type: none"> <li>1.The main parts are fan motors, and parts other than the main parts are all classified as general parts.</li> <li>2.The warranty card has not been registered on the company's website, or the warranty card has not been presented, or there is no date of purchase, or the seal of the distributor has not been stamped, or the proof of time of entry has not been presented.</li> <li>3. Damage is caused by inadvertent or incorrect use or failure to perform regular maintenance as required by this manual.</li> <li>4.The user disassembles the product, modifies the product or uses non-original parts.</li> <li>5. Damage is caused by natural disasters or force majeure.</li> </ol> <p>※Post-Service Warranty</p> <ol style="list-style-type: none"> <li>1. During the warranty period, the product is still warranted during the original warranty period.</li> <li>2. If maintenance is conducted outside the warranty period, the repair parts are warranted for a period of three months.</li> </ol> <p>※The use and installation instructions must be delivered to the user.</p> <ul style="list-style-type: none"> <li>● The method of installation is very important. Please entrust the vendor shop or plumbing and electricity shop to install.</li> <li>● If the electric wires are damaged, it only can be replaced by manufacturer or agency or plumbers to do it in order to avoid danger.</li> </ul> <p>※ It is strictly forbidden to install this product in a place filled with airborne grease and room temperature up to 40 °C (above). You're at your own risk if you do this to damage this product.</p>	